

MODULYS XL

Ultimate modular UPS
for the most critical environments
from 200 to 4800 kVA/kW



When **energy** matters

 **socomec**
Innovative Power Solutions

“We’ve created the ultimate modularity”



Christophe Dorschner

Product Line Marketing Manager
Socomec

Building on the success of the MODULYS GP2.0, as well as our expertise in deploying modular technologies and platforms, Socomec has created the next generation of high power modular UPS solutions – the **MODULYS XL**. Christophe Dorschner, Product Line Marketing Manager, was closely involved in this emerging innovation.



SITE 997 A

Why modular?

MODULYS GP2.0, our medium power modular UPS, has been a firm favourite in the market since 2015. Today's critical infrastructures need to be flexible, designed for rapid deployment or upgrades but also – both in terms of the physical product and extended support services – all whilst maintaining the system's optimum availability. With modular UPS, **it's possible to solve a number of problems in parallel** – a key concern for every operator responsible for a critical application.

How are you solving your customers' challenges?

Providing the right kind of modularity is essential. Not all modular systems are created equal: many UPS's available today claim to be "modular" if they comprise multiple power bricks but they don't actually provide the features and benefits necessary to be truly modular. We have worked hard to understand our customers' needs and concerns by adapting this new system **for the specific requirements of the high power UPS market** and creating a solution that provides the benefits associated with genuine modularity.

What is MODULYS XL?

MODULYS XL is a modular UPS based on 200 kW bricks for deployment within UPS units from 200 to 1200 kW - that can also be installed in parallel up to 4 units. We have created **simplified connections** – with power converters based on the DELPHYS GP UPS technology, combined with MODULYS GP 2.0 electronic and firmware platforms – to deliver a higher power MODULYS. This development is about delivering **the best possible user experience** – while eliminating the uncertainties associated with new technologies.

Why is the MODULYS XL so distinctive?

Achieving the right granularity requires balance between system MTBF and intrinsic redundancy – with limited losses in available power due to missing modules, or inflated maintenance costs due to excessive numbers of modules.

Taking this into account, MODULYS XL has been designed **with power modules of the right size for large UPS systems**, while remaining as easy to handle as a smaller module.

Can you tell us more about one of the exceptional features of this UPS?

In-situ maintenance, servicing and repairs are critical moments when it comes to the protection of highly critical loads.

By fully isolating a power module, the MODULYS XL allows concurrent maintenance of each subset, in a simple and safe way. A module can be extracted out of the system to avoid any risk to affect the running system and moreover has intrinsic means to be fully confident in the performed activities, thanks to an easy and exhaustive pre-testing solution. It's completely foolproof. We've made the latest technology easier to master than ever before.



MODULYS XL - part of the **ULTIMATE** range

Socomec's Ultimate UPS solutions deliver fault tolerant power – without compromise. With fully redundant architecture for maximum availability, MTTR is minimised and maintenance is risk free.

WOW!

“This is modular made personal – when I need it and how I want it. Brilliant.”

3 standard bricks
to design your very own system

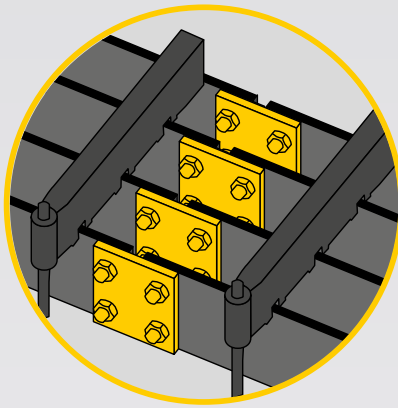


The
5 minute
hot-scale

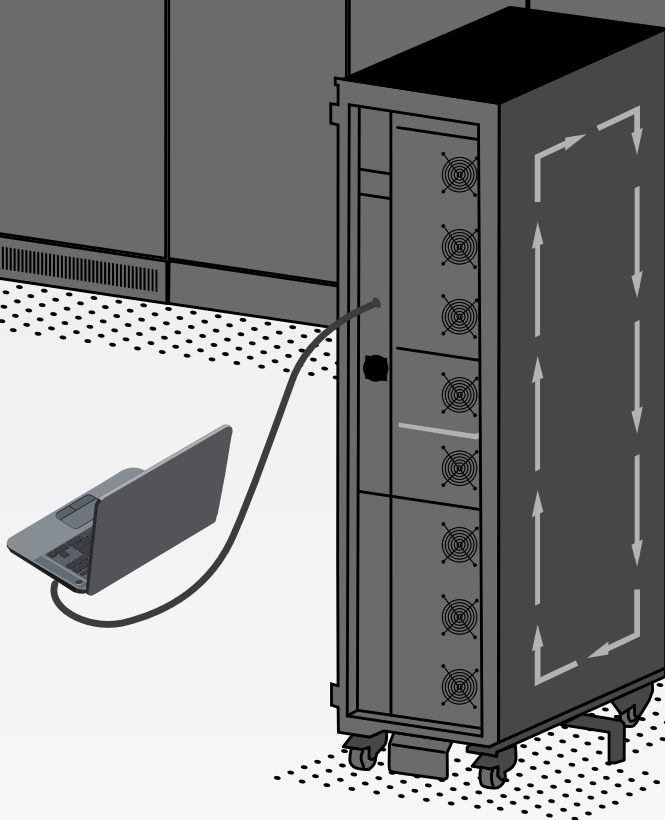
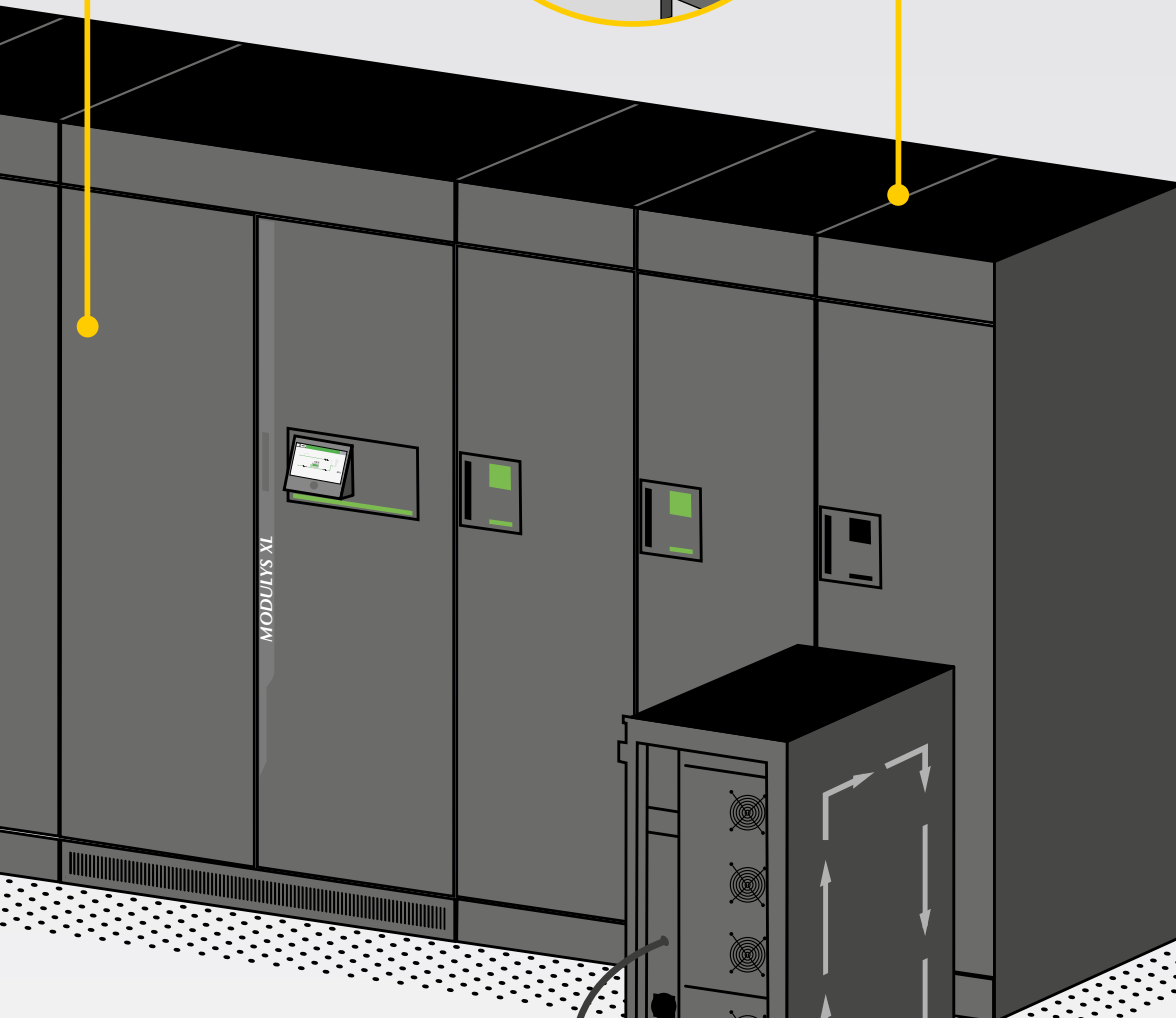
The modular user experience with a UPS engineered for resilience

Meet the new *MODULYS XL*

MODULYS XL is a **modular UPS** based on **200 kW bricks** for deployment within UPS units **from 200 to 1200 kW** – that can also be installed in parallel **up to 4 units**. This development protects the load in online mode, whether responding to load increases or managing aspects of the lifecycle quickly and securely. MODULYS XL provides unprecedented availability and flexibility to address the demands of today's highly critical applications.



Safe and easy
deployment



Risk-free
maintenance

MOD 122 A

3 standard bricks

to design your very own system

Configurable for today – ready for tomorrow

The MODULYS XL lets you create UPS configurations based on just 3 standard bricks that simplify the entire process - from defining the project outline to achieving full operational status. For the ultimate flexibility, the easy to replicate assets work with different configurations and architecture requirements – even allowing for late stage specification changes.

Tailored - without the need to modify standard bricks

- Purchase what you need now - add to the system as those needs change.
- Wide range of additional options available.
- Complete system customisation to meet specific requirements – without modifying the 3 standard bricks.

Flexible power and scalability

- Select the number of power slots to size your system and allow for future scalability.
- Cater for evolving power or redundancy requirements.
- Multiple modular parallel units can be similar in number or heterogenous.

Adaptable to the infrastructure

- Adaptable system and simplified integration according to infrastructure requirements.
- Flexible battery connection (distributed, shared or hybrid).

Discover the 3 bricks



Power hub (up to 1200 kVA).

MOD 113 A



Power slot (200 kVA/kW).

MOD 115 A



Power module (200 kVA/kW).

MOD 114 A



The flexibility of a tailored solution combined with the advantages of standardised assets, means that the system can be fine-tuned to the precise requirements of your electrical infrastructure. This approach saves time and money during project design and deployment – with the option to pay as you go.



APPLI 985

Safe and easy deployment

Say goodbye to installation errors

Deployment on site is quick and easy – **pre-engineered connections ensure that the installation is simple, and free from unforeseen problems.** The MODULYS XL has been specifically engineered to eliminate unexpected installation errors, resulting also in a clean system interconnection.

Easy positioning

- Installation can be done with full frontal access, allowing you to put the UPS against a wall.
- The entire system is engineered for easy brick positioning and alignment – compensating for any uneven floors.

Pre-engineered interconnections

- Power slots have built-in bus bars for interconnection together and on the power hub.
- All connections – power and control – between the power hub and slots are done at the initial installation, ready immediately or for any future module plug-in.

Movable power module

- Module handling is easy and secured thanks to auto retractable stabilizers.
- Insertion is smooth thanks to a combination of wheels, guide rails and ball bearings.



A heat-run test on the entire system is possible to qualify all modules and the static bypass, without the need for a dummy load test bench.



MODULYS XL

socomec
innovative power solutions

The **5 minute** hot-scale 200 kW x 1 person pluggable power modules

Module plug-in based on patented connection system is easy and safe – for both the operator and the application. No cabling, and no complex management of firmware parameters makes the hot-scale process simple; plug a new module into a prewired bay and let it to self-configure automatically while the rest of the system fully protects the load – working in inverter mode.

Easy plug-in

In less than 5 minutes, by just one person – with no specialist skills or engineering expertise required. No need for power or control cabling. It can therefore be inserted into any installed slot without distinction.

Fully protected load

In online double conversion mode during system extensions, module maintenance or swaps. Patented connection system provides safe module connection and start-up.

In-built configuration

With easy to follow instructions for power or redundancy level changes – shown on the display screen. Modules are fully interchangeable without the need to be concerned about firmware or parameter synchronisation.



When it comes to future power evolution, the addition of new modules into empty bays is fast and simple – enabling you to more effectively manage a dynamic electrical architecture.

Risk-free maintenance Eliminate life cycle management risk

Concurrent maintenance – a powerful approach

MODULYS XL has been created with a disruptive approach when it comes to safety and maintenance. Concurrent maintenance means that you can maintain all components while the rest of the UPS system supports the load in online mode.

- Easy, risk-free maintenance of a single module - outside the system.
- Avoids in-situ maintenance, service or repair that may put the operating system at risk.
- Static bypass maintenance while modules are protecting the load.

63 A plug for a heat-run test – an innovative approach

Operation and testing are failsafe – providing full confidence prior to plugging back into the critical system. It is possible to perform a functional and full power heat-run test - without the need for a dummy load – as well as post-transportation or post-maintenance functional testing.

Maintenance made-easy – a secure approach

Fully extractible modules and subassemblies – with 360° access to all components – help to achieve the lowest possible MTTR.



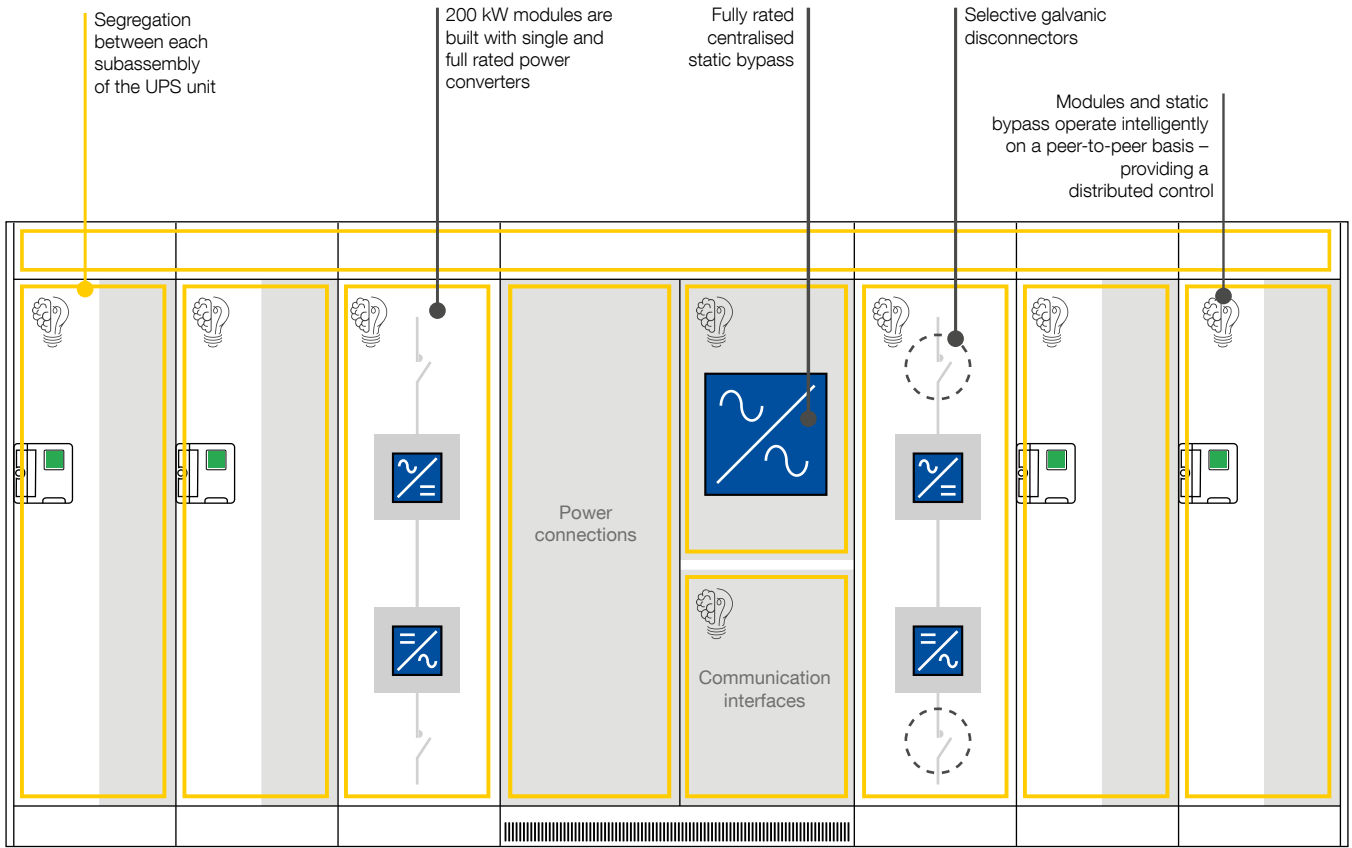
Long lasting design: your easiest evolution, ever

As no ordinary modular system, the MODULYS XL has been engineered for evolution – and revolution. The flexibility of this next generation modular architecture enables you to adapt – rapidly – to ever changing requirements.

Engineered for resilience

No single point of failure. No fault propagation. No problem.

Thanks to the appropriate number of modules in a system, MODULYS XL achieves the optimum balance between granularity and system MTBF for an ultimate resilience.



MODULYS XL architecture: the single point of failure is eliminated to protect against propagation of defects.

No single point of failure

The system's bypass is designed to remove single point of failure, together with the guarantee of compatibility and protection coordination with the outlying infrastructure – independently of the number of installed units.

No fault propagation

MODULYS XL's pre-engineered interconnections between electrical and mechanical segregated assets makes an extremely clean and resilient UPS system – essential for guaranteeing maximum availability.

No problem

Power module are designed for superior robustness with a MTBF exceeding 1.000.000 hours.

* MTBF = mean time between failure.



APPLI 954

Move to a permanent uptime mode with an innovative service approach

To eliminate the risk of repairs under challenging conditions, Socomec has developed an innovative service approach for high power UPS system. From now on, first guarantee the availability of your UPS with the module hot-swap and then leave it to the Socomec experts to fix it.



Maintenance contract subscription

Socomec offers standard maintenance contracts including preventive and corrective visits. The contract configuration can also be customizable according to your maintenance needs.



Power module as a spare: a spare power module on site to maintain the level of availability in any circumstances

A spare power module will be to hand next to the MODULYS XL so that the module can be swapped in case of failure in less than 5 minutes. The module can also be used during the preventive maintenance visit - to be inserted instead of the maintained module and therefore ensure the same level of availability.



SoLink service: remote expertise by your side

Socomec Service Center continuously monitor by remote over 150 operating UPS parameters. This means that preventive actions can be prescribed by a Service Engineer in order to anticipate the occurrence of anomalies and, in case, quickly trigger the proper remedial action.

i Find out more about maintenance contracts

APPLI 759

i Find out more about Power module as a spare

i Find out more about SoLink

SITE 923

Socomec: our innovations supporting your energy performance

1 independent manufacturer

3,600 employees worldwide

10 % of sales revenue dedicated to R&D

400 experts dedicated to service provision

Your power management expert



POWER SWITCHING



POWER MONITORING



POWER CONVERSION



ENERGY STORAGE



EXPERT SERVICES

The specialist for critical applications

- Control, command of LV facilities
- Safety of persons and assets
- Measurement of electrical parameters
- Energy management
- Energy quality
- Energy availability
- Energy storage
- Prevention and repairs
- Measurement and analysis
- Optimisation
- Consultancy, commissioning and training

A worldwide presence

12 production sites

- France (x3)
- Italy (x2)
- Tunisia
- India
- China (x2)
- USA (x3)

28 subsidiaries and commercial locations

- Algeria • Australia • Belgium • China • Canada
- Dubai (United Arab Emirates) • France • Germany
- India • Indonesia • Italy • Ivory Coast • Netherlands
- Poland • Portugal • Romania • Serbia • Singapore
- Slovenia • South Africa • Spain • Switzerland
- Thailand • Tunisia • Turkey • UK • USA

80 countries

where our brand is distributed

HEAD OFFICE

SOCOMECC GROUP

SAS SOCOMECC capital 10749940 €
R.C.S. Strasbourg B 548 500 149
B.P. 60010 - 1, rue de Westhouse
F-67235 Benfeld Cedex
Tel. +33 3 88 57 41 41 - Fax +33 3 88 57 78 78
info.scp.isd@socomecc.com

YOUR DISTRIBUTOR / PARTNER

www.socomecc.com

